

Stone Mason Series

Performance, Production and Portability

- △ The Original 2-foot 70 Ton Stone Splitter
- △ Average 18 tons per 10 hour shift
- △ Process Stone 32" wide up to 16" thick
- △ Splits Flagstone, River Rock, Brick, Block, Thin Veneer and More!
- △ Operator Friendly, Easy Control Access and Work Area
- △ Lifetime Guarantee on One-Piece Frame
- △ Quiet - Environmentally Safe Operation.
- △ Patented Folding Mast
- △ Single Axle for Easy Manuverability
- △ Installation and Operational Instruction Included
- △ Gas, Diesel and Electric Power Unit Options
- △ Optional Conveyors Available
- △ Easy Set-up & Tear Down
- △ Low Maintenance



Stone Mason
Stationary HDS70



Stone Mason Mobile M50



Kubota Diesel



Prices and specifications are
subject to change without notice.

 **CEE-JAY TOOL
COMPANY, INC**

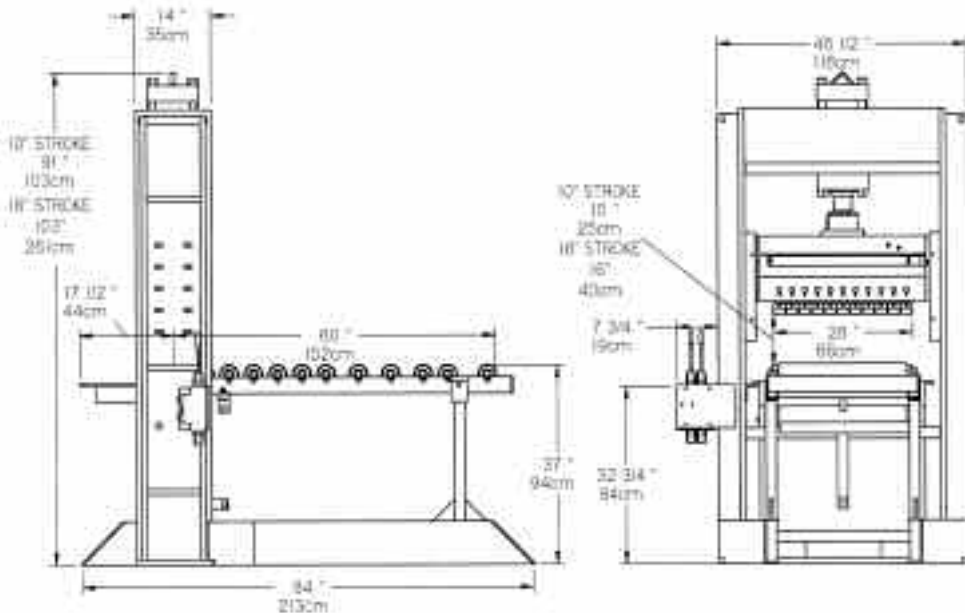
5100 Boyd Lake Avenue. Loveland, Colorado 80538. (800) 350-9313

www.ceejaytool.com

Stone Mason HDS70

70 tons of stationary cutting force

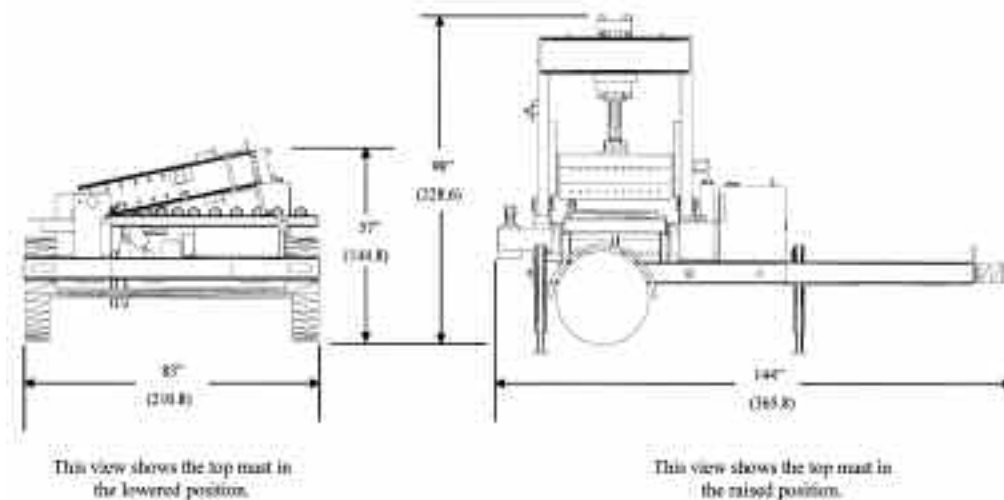
- △ Available in 10 or 16 inch tall opening
- △ 26 inches of tool steel or carbide cutting teeth
- △ 32 inch wide throat
- △ Available gas, diesel, or electric power unit
- △ Inbound steel gravity rollers and steel discharge table



Stone Mason M50

50 tons of mobile cutting force

- △ Available in 10 inch tall opening
- △ 26 inches of tool steel or carbide cutting teeth
- △ 32 inch wide throat
- △ 25HP V-Twin gasoline engine
- △ DOT approved with safety in mind



**CEE-JAY TOOL
COMPANY, INC**

5100 Boyd Lake Avenue. Loveland, Colorado 80538. (800) 350-9313

www.cejaytool.com