

Simply the best fully hydraulic stone cutters available. Period.



**CEE-JAY TOOL  
COMPANY, INC**

[www.cejaytool.com](http://www.cejaytool.com)

## Kubota Diesel Power Units

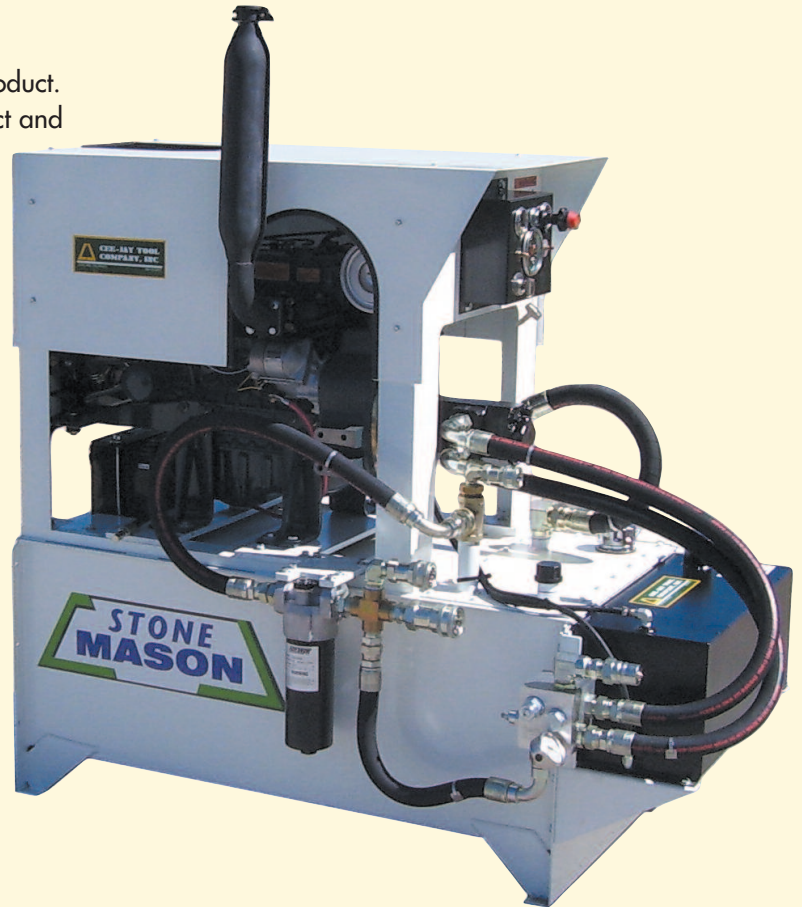
Kubota leads with quality, innovation and a proven product. These highly durable power units are light and compact and have been designed to provide maximum fuel efficiency, minimal noise and vibration together with enhanced engine life and reliability. This low maintenance system is shipped to you as a turn key unit or as a power option on the Stone Mason HDS Series.

### Standard Features

- 1.5 Liter 33H.P. 4 Cylinder Kubota
- Deep Cell 12V Battery
- Water Cooled
- 2 Stage Low Maintenance Gear Pump
- 10 Gallon Steel Fuel Tank
- Dual Stage Air Filter
- Temperature and Oil Pressure Shut-Off Sensors
- Glow Plug Fuel Heater for Easy Starting

### Details

- One- Sided Maintenance
- High Fuel Efficiency
- Quiet Operation
- SAE Flywheel and Housing



Prices and specifications are subject to change without notice.

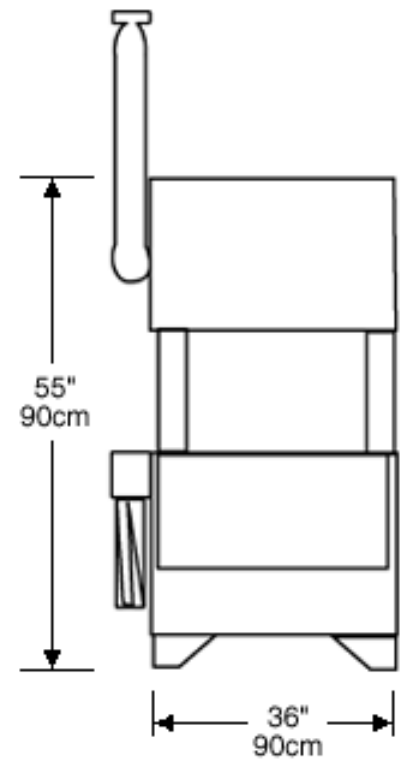
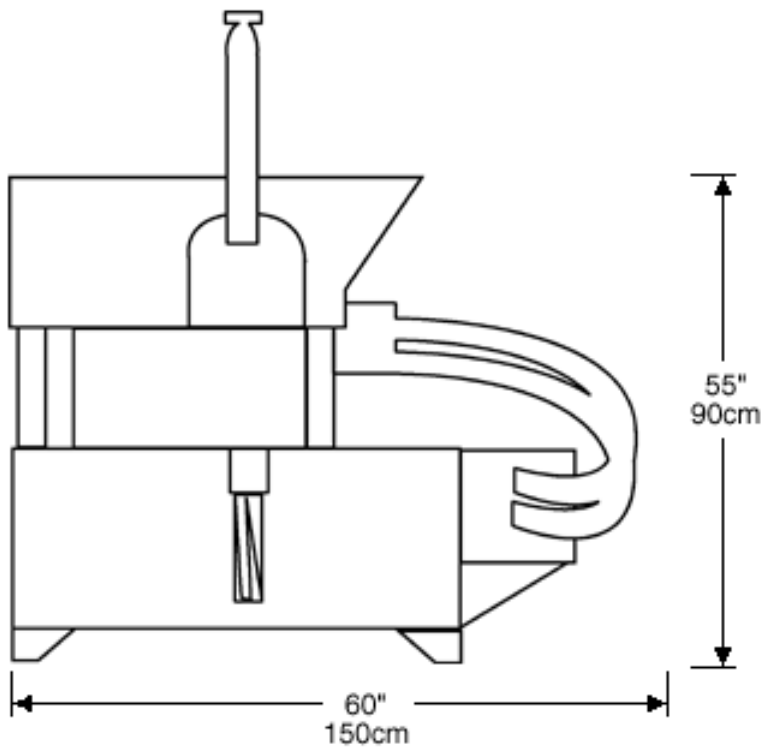


Simply the best fully hydraulic stone cutters available. Period.

## Kubota Diesel Power Units

### △ Specifications

Model V1505		
Overall Width	36 inches	90cm
Overall Length	60 inches	150cm
Height	55 inches	137.5cm
Weight	1,600 lbs.	



5100 Boyd Lake Avenue  
Loveland, Colorado 80538  
(970) 962-9594  
(800) 350-9313  
Fax (970) 962-9594  
www.cejaytool.com